



Radial fan

$T_{AMBIENT} = T_{AIR\ COOLING} = 40^{\circ}C$ unless otherwise specified

Symbol	Conditions	Values			Unit		
V_{SUPPLY}	Voltage supply	200	230	264	V_{AC}		
f	Frequency	45	50	65	Hz		
QV	Maximum air flow at no load	at 50Hz			1 180	m^3/h	
P_{FAN}	Maximum input power	at 50Hz			165	W	
$I_{Blocked\ rotor}$	Maximum current when rotor blocked					A	
m	Weight				3,9	kg	
LTE	Life time expectancy	at 50Hz			70 000	h	
$T_{STORAGE}$	Storage/Transport permissible temperature				-40	80	$^{\circ}C$
S&V	Shock & vibration in transport (IEC 60721-3)				2M1	-	
IP	Protection level				IP54	-	

Fan accessories

AC radial fan dual inlet

PRELIMINARY DATASHEET

Ordering No. 15801661

Description SKF 16P-230-02

Features

- AC radial fan 146mm impeller diameter with hybrid bearings
- Material
 - housing : sheet steel, galvanised
 - impeller: sheet steel, galvanised
- Motor internal thermal protection
- Speed control (PWM), Tach out
- Compliance: UL, CSA
- Environment: RoHS, REACH, ErP 2015

Typical Applications

- Px308 heatsink cooling
- SEMIKUBE heatink cooling
- Cabinet air management

Footnotes

¹⁾ to get the optimum operating point it is mandatory to have a chamber along Px308 heatsink profile to properly lead the airflow through heatsink fins.

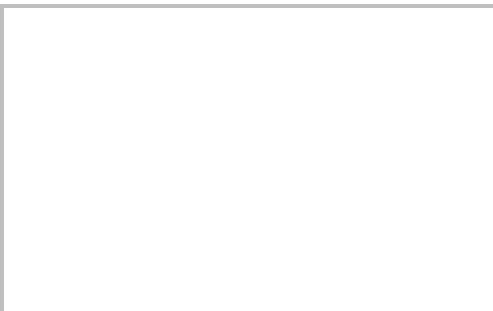
REMARKS

This technical information specifies fan devices but promises no characteristics. No warranty or guarantee, expressed or implied is made regarding delivery, performance or suitability.

Standard operation with profile Px308 ¹⁾

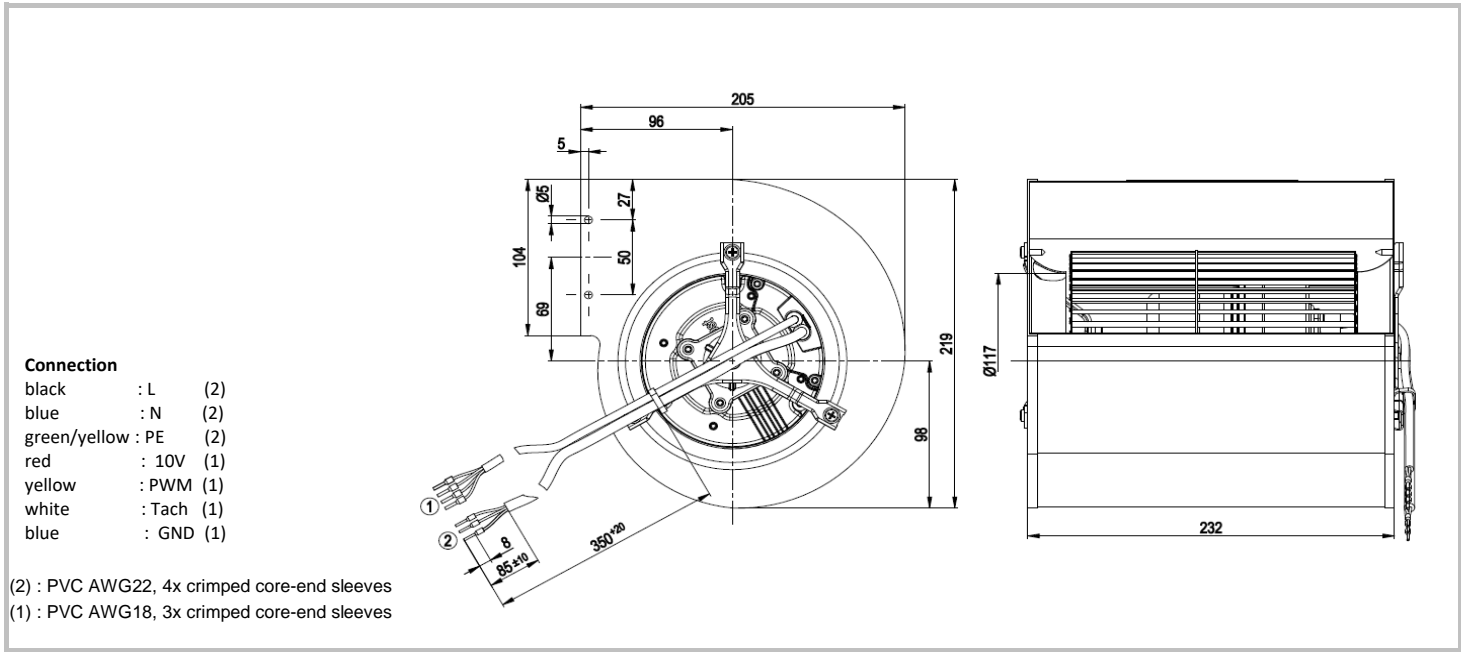
Symbol	Conditions	min	typ	max	Unit
V_{SUPPLY}	Rated voltage supply	230			V
f	Rated input frequency	50 / 60			Hz
QV	Operating airflow	735			m^3/h
SP	Operating static pressure	305			Pa
P_{FAN}	Rated power input	165			W
I	Rated input current	1,35			A
-	Sound pressure level at 700m ³ /h, 300Pa, 50Hz (at 1m) ISO 13347 / ISO 5801				dB[A]
$T_{AMBIANT}$	Operating ambient temperature	-25	40	60	$^{\circ}C$

Notice : for application with frequent start & stop operation, (more than 5 times per day) it is recommended to use the PWM control pin to proceed to start and stop phases. For details please contact SEMIKRON

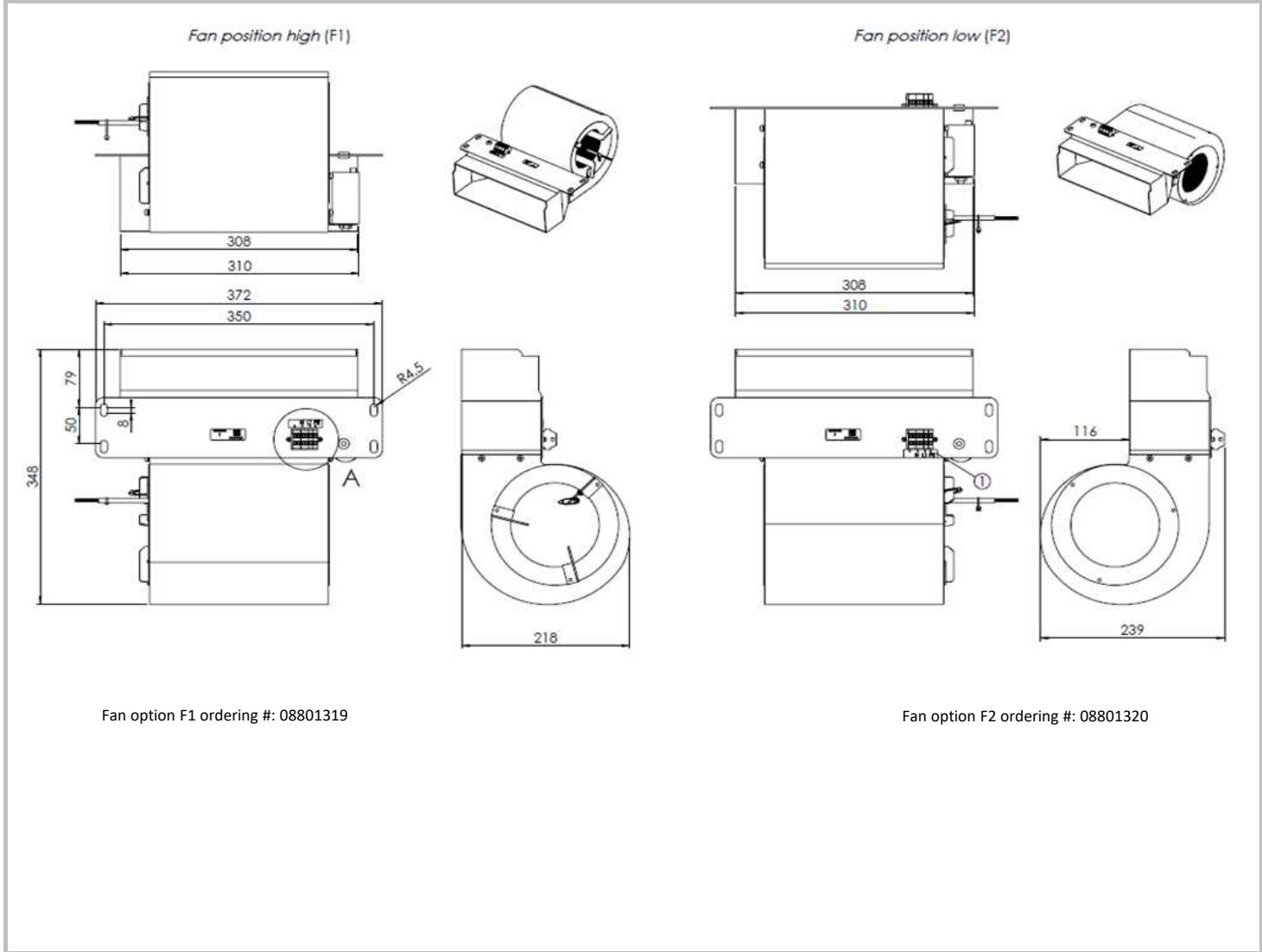


Accessory



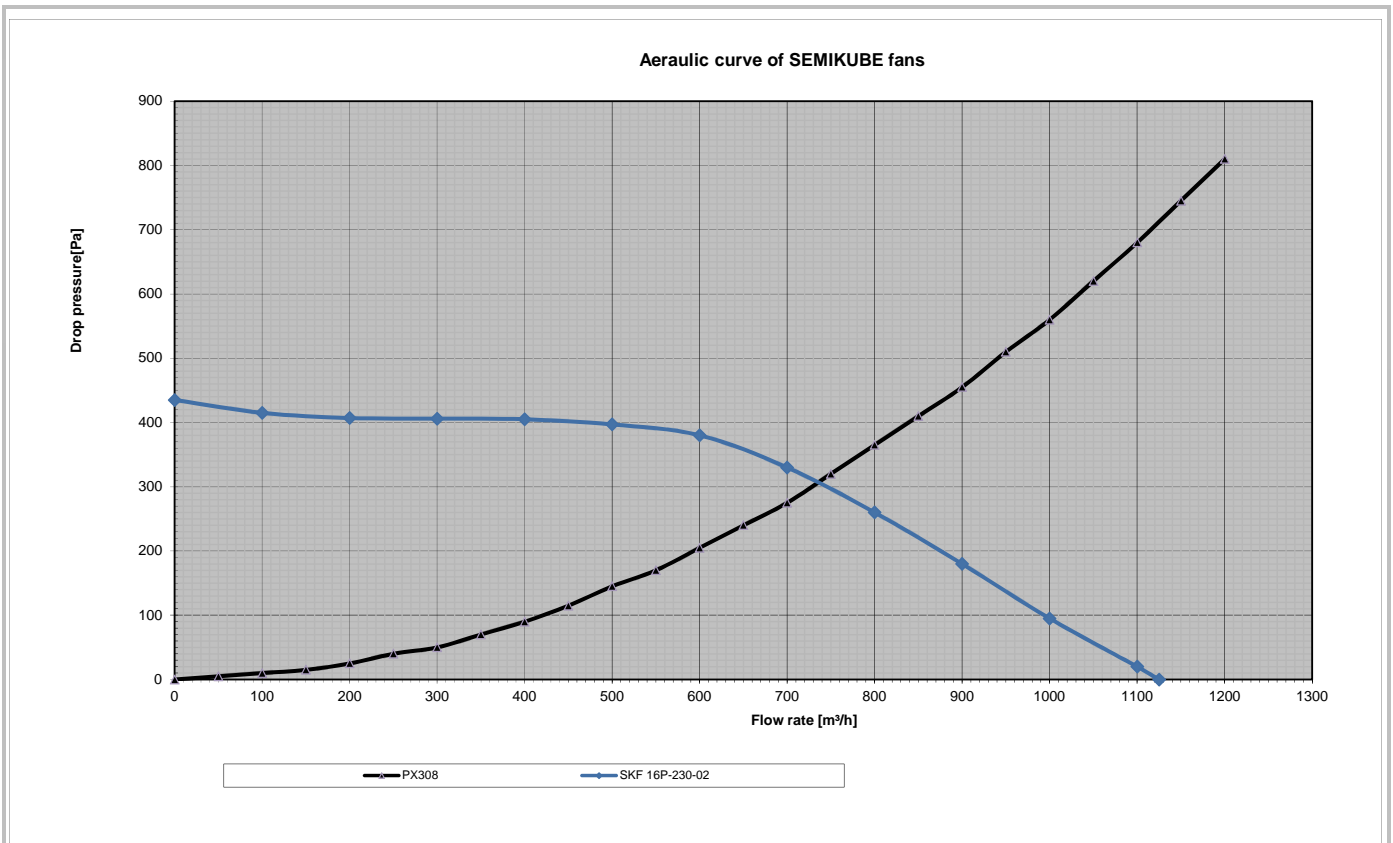


Fan case drawing



SEMIKUBE fan option case drawing

This technical information specifies semiconductor devices but promises no characteristics. No warranty or guarantee expressed or implied is made regarding delivery, performance or suitability.



Static pressure vs. Airflow